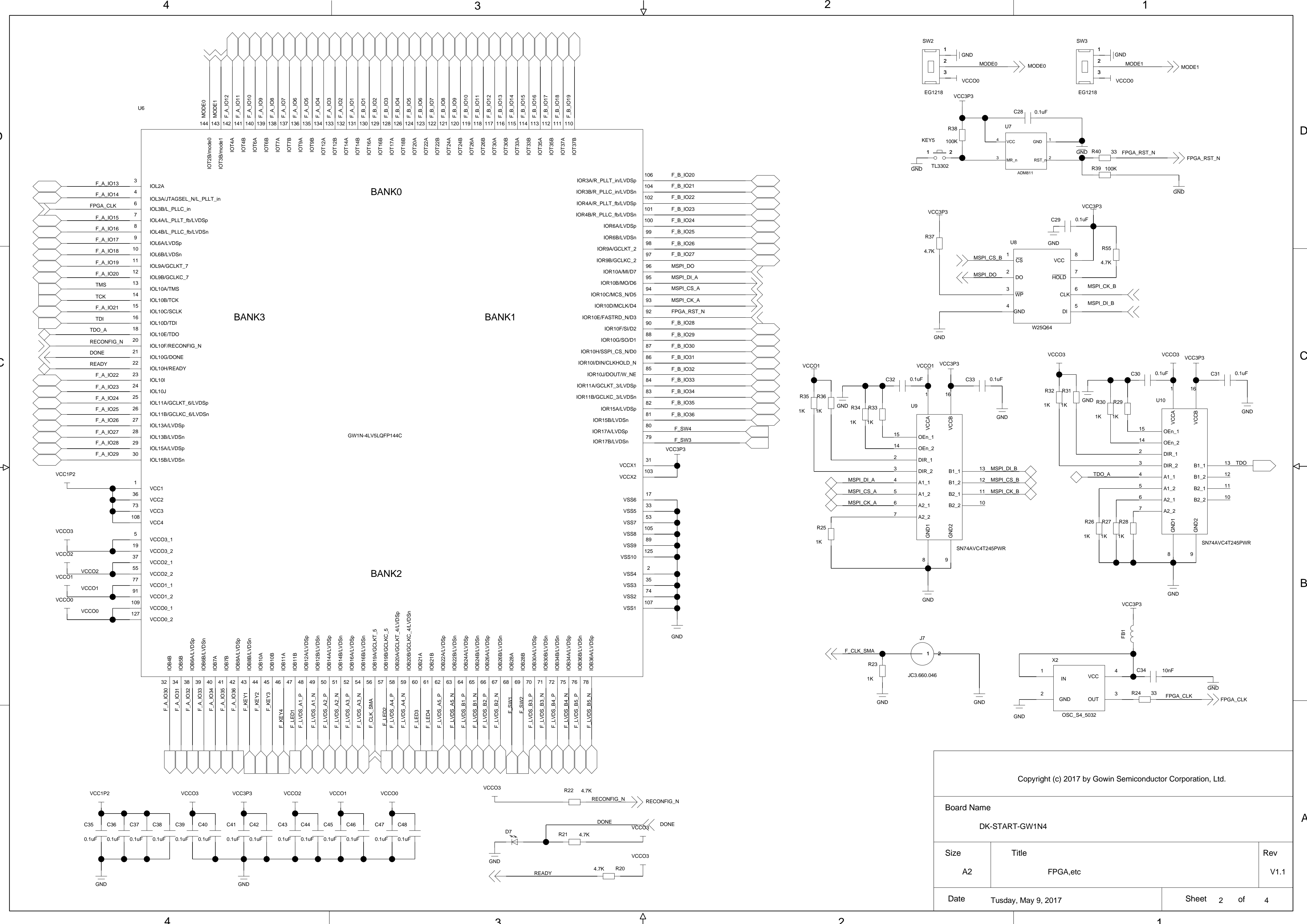


SCHEMATIC	CONTENT	PAGE
FPGA	LQFP144, MSPI,OSC,MODE,RST,SMA_CLKIN	2
GPIO	GPIO,LVDS,Switch	3
Power&Download	POWER 1.2V, 2.5V, 3.3V USB Download, KEY,LED	4

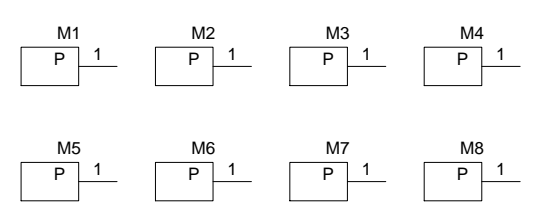
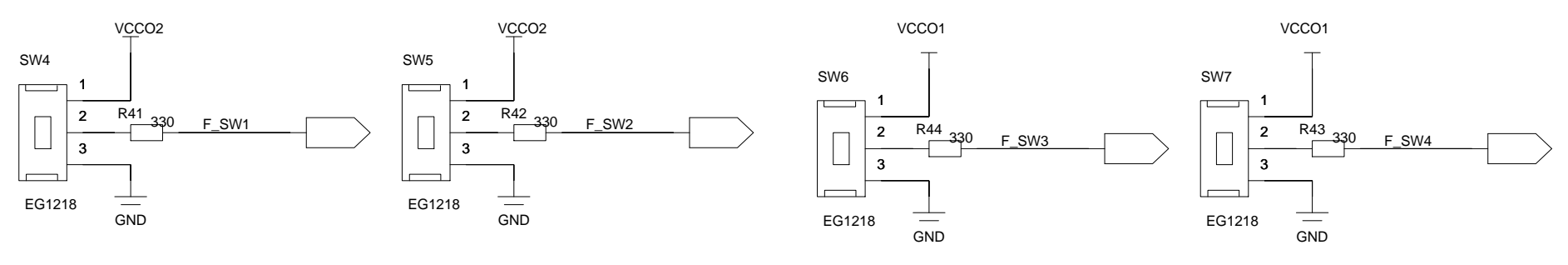
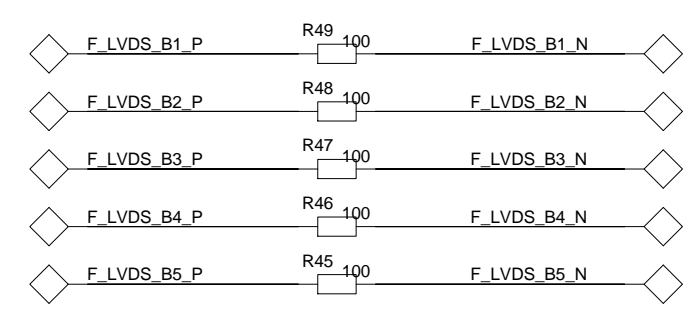
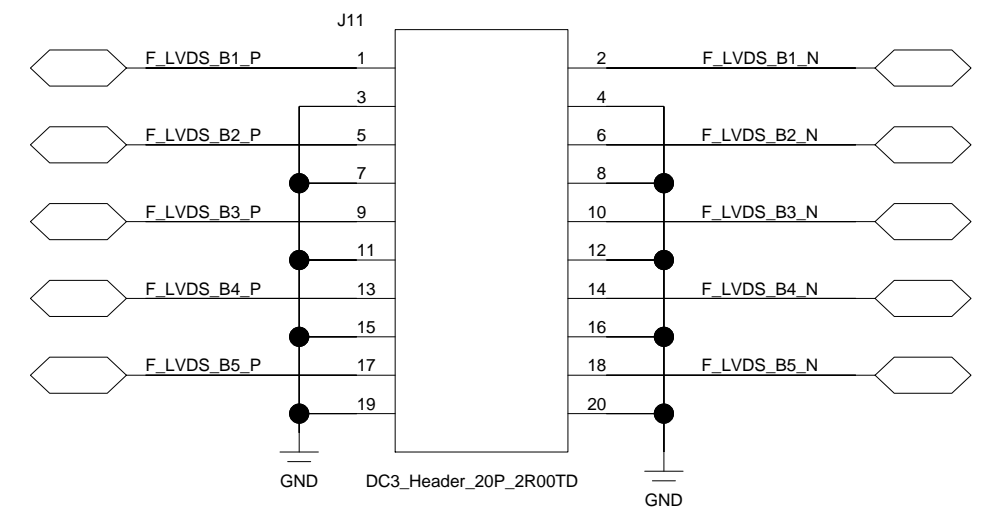
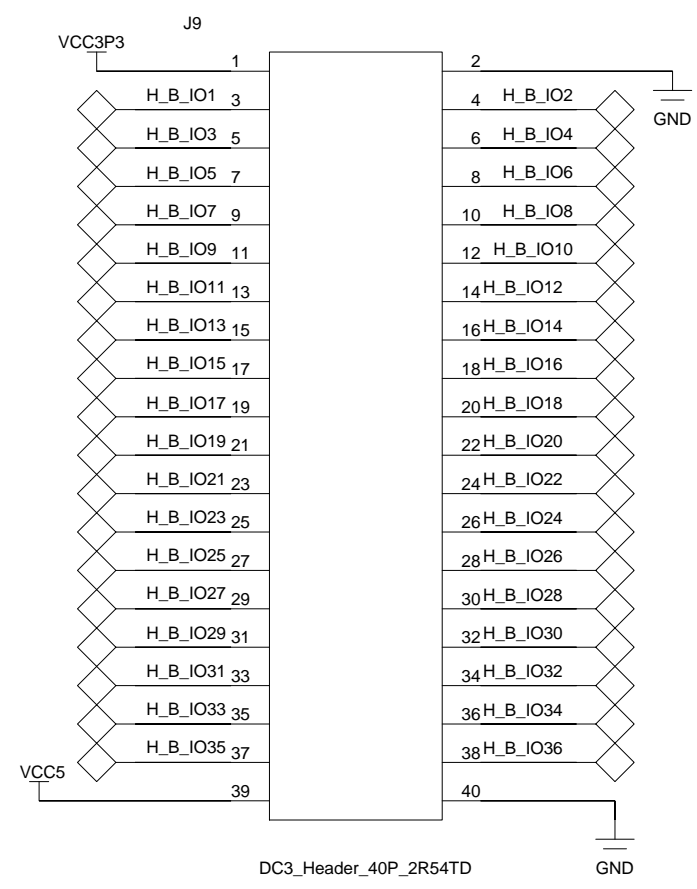
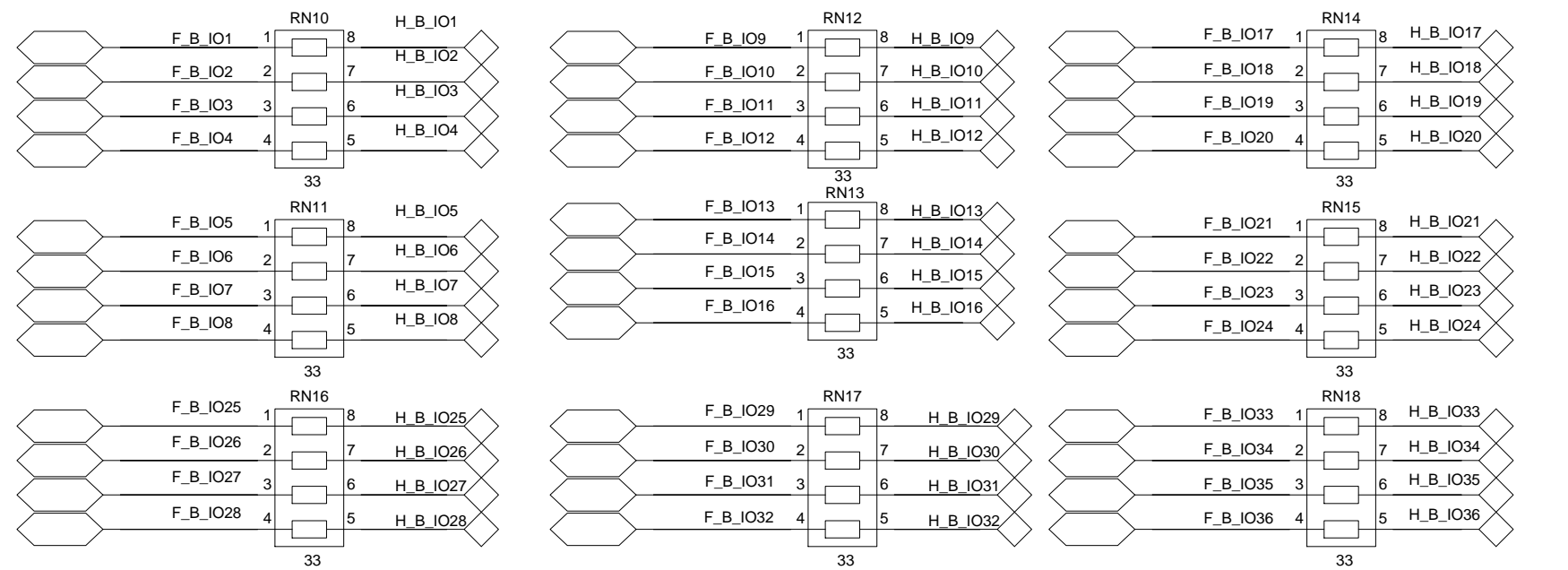
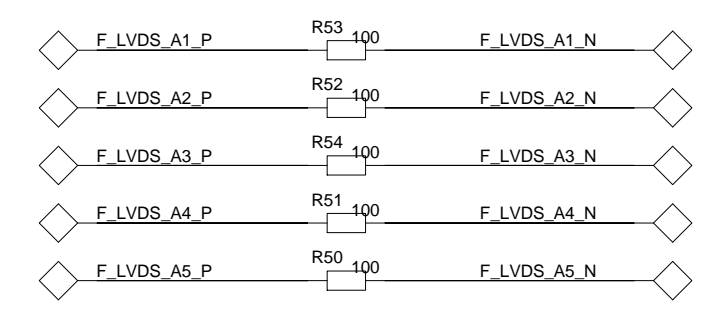
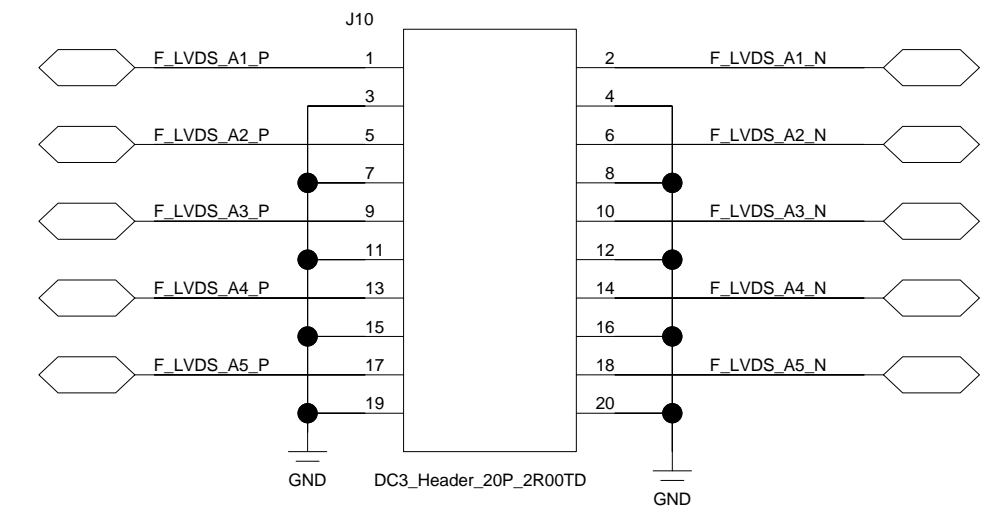
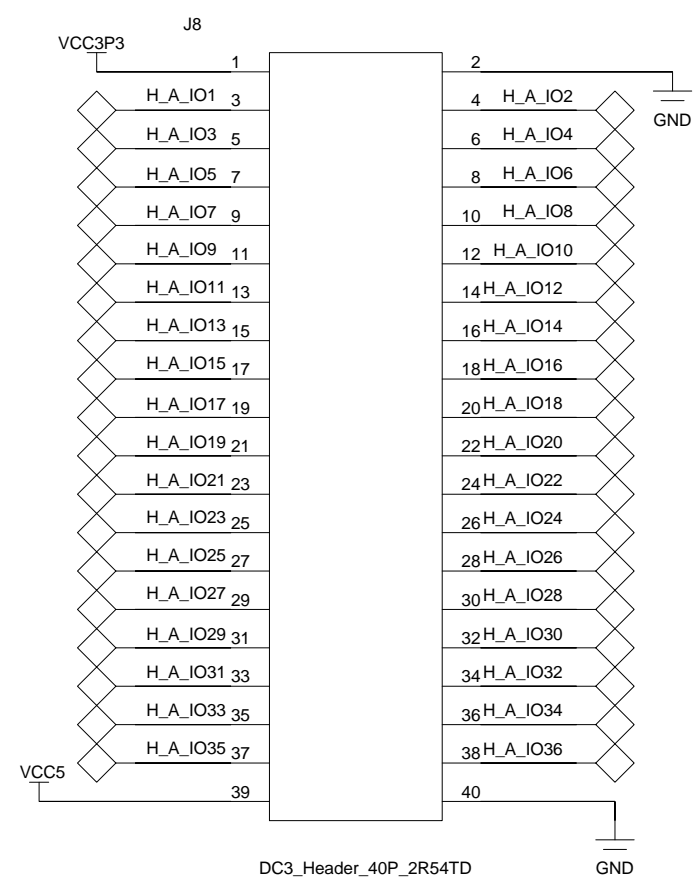
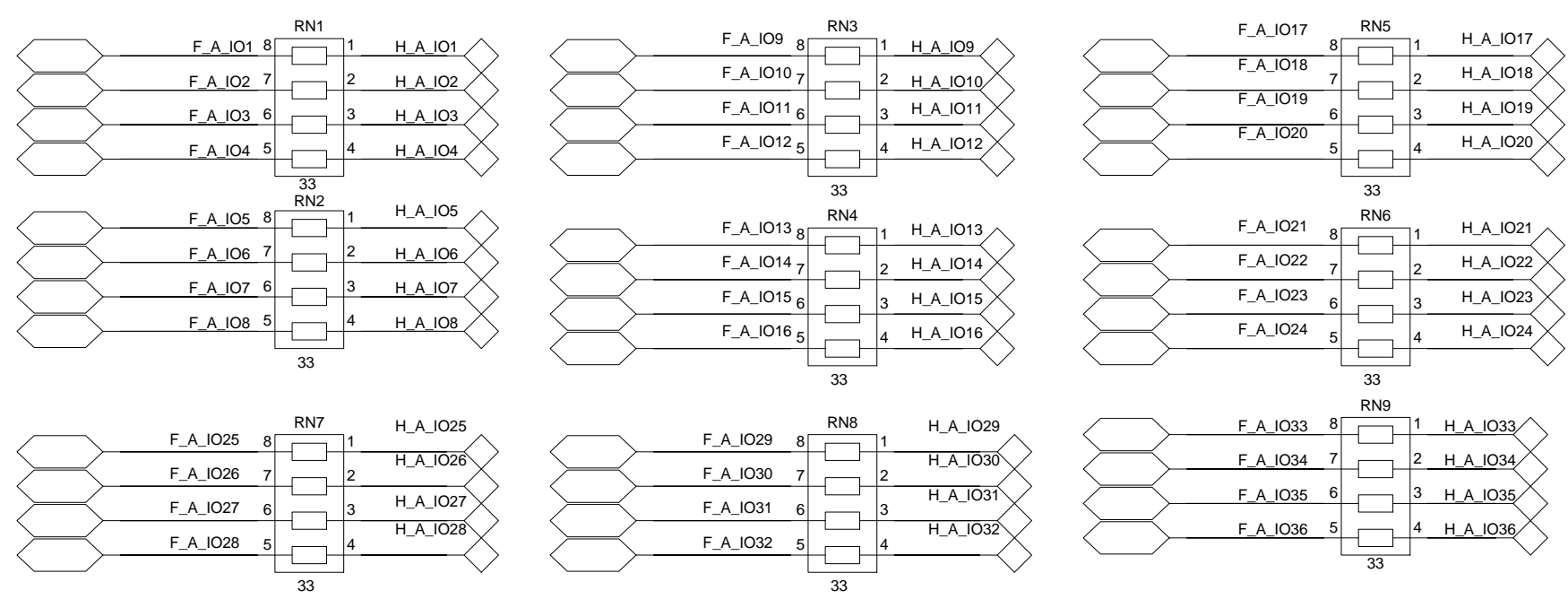


Copyright (c) 2017 by Gowin Semiconductor Corporation, Ltd.		
Board Name DK-START-GW1N4		
Size A2	Title COVER PAGE	Rev V1.1
Date Tusday, May 9, 2017	Sheet 1 of 4	

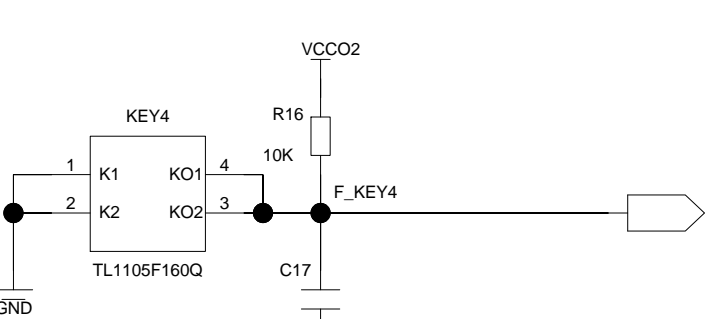
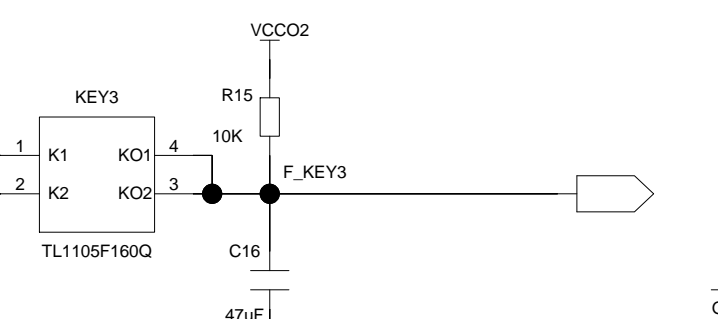
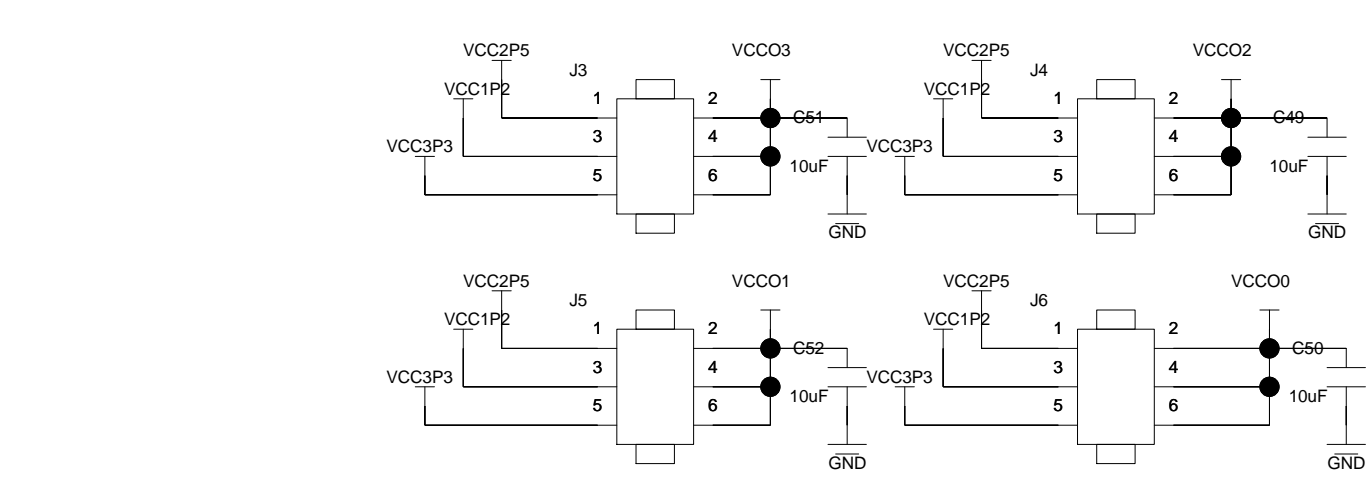
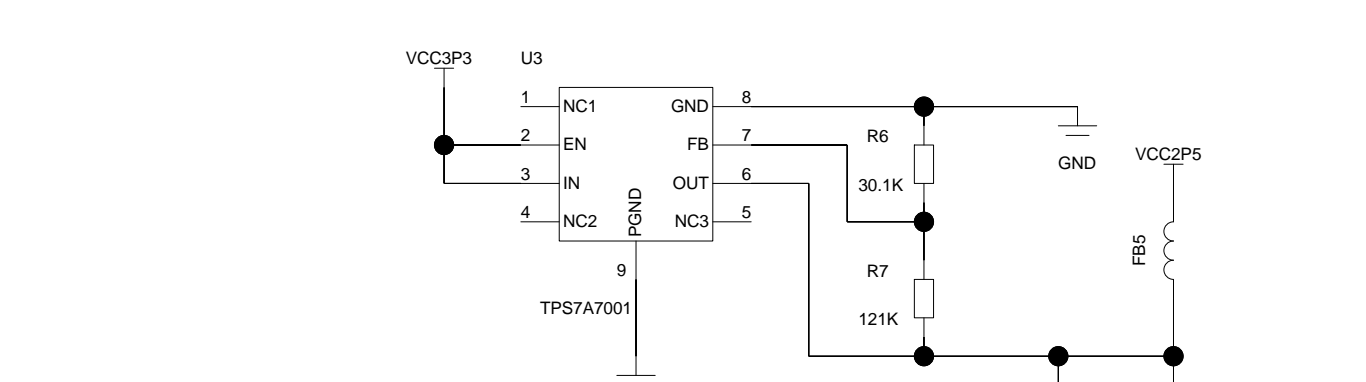
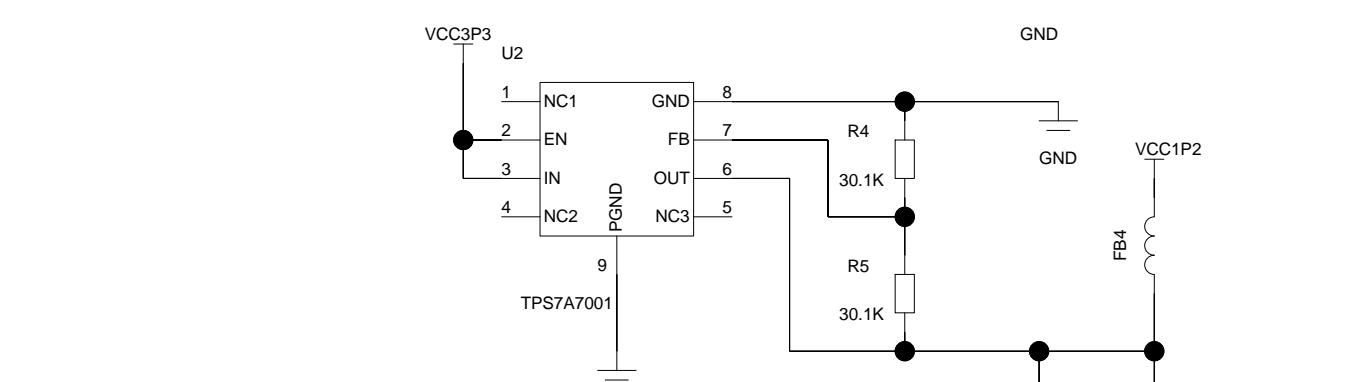
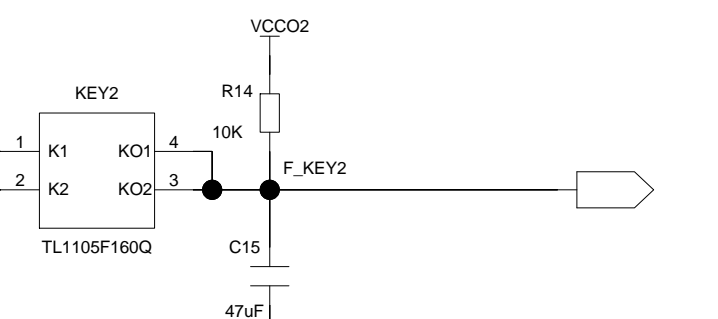
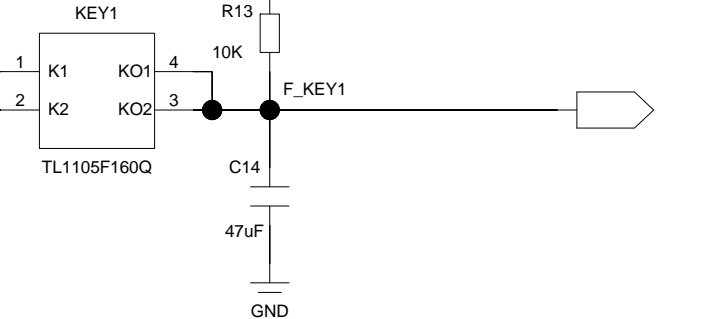
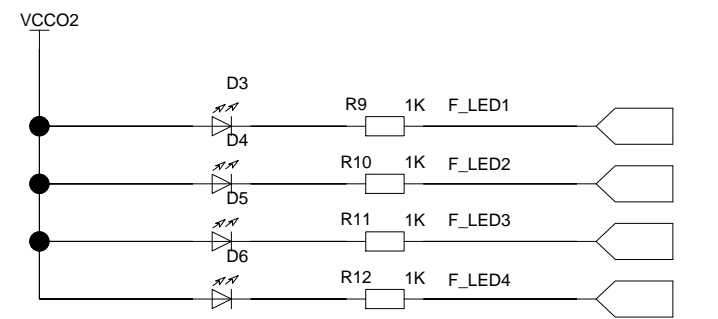
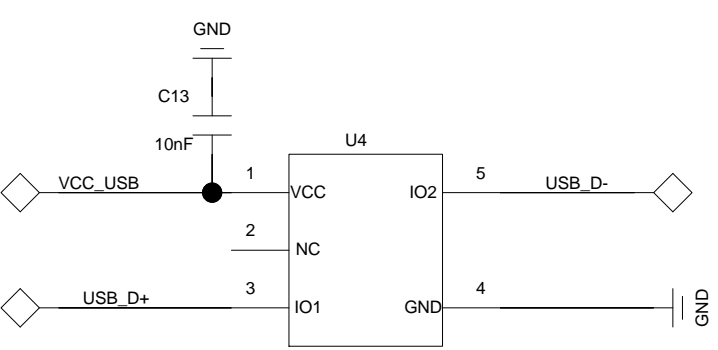
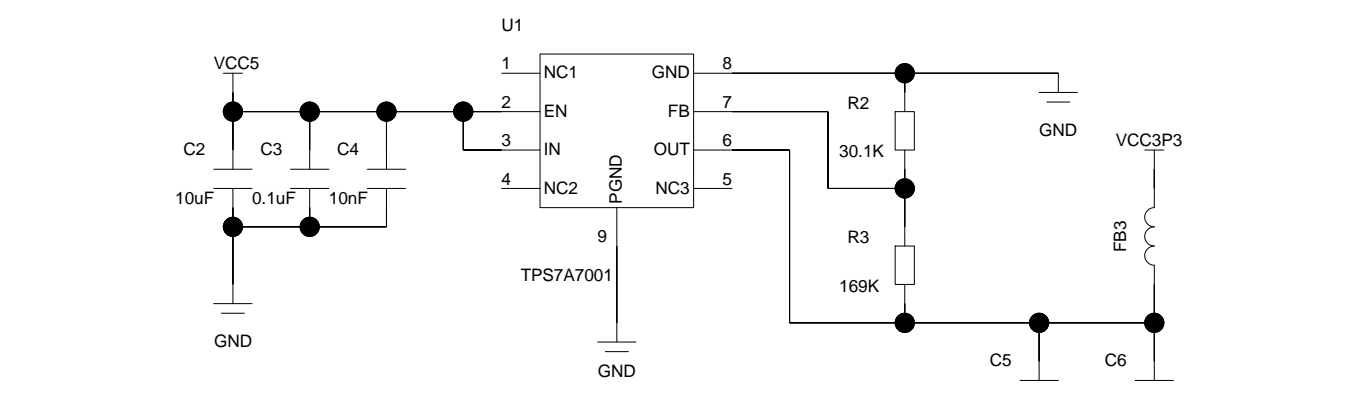
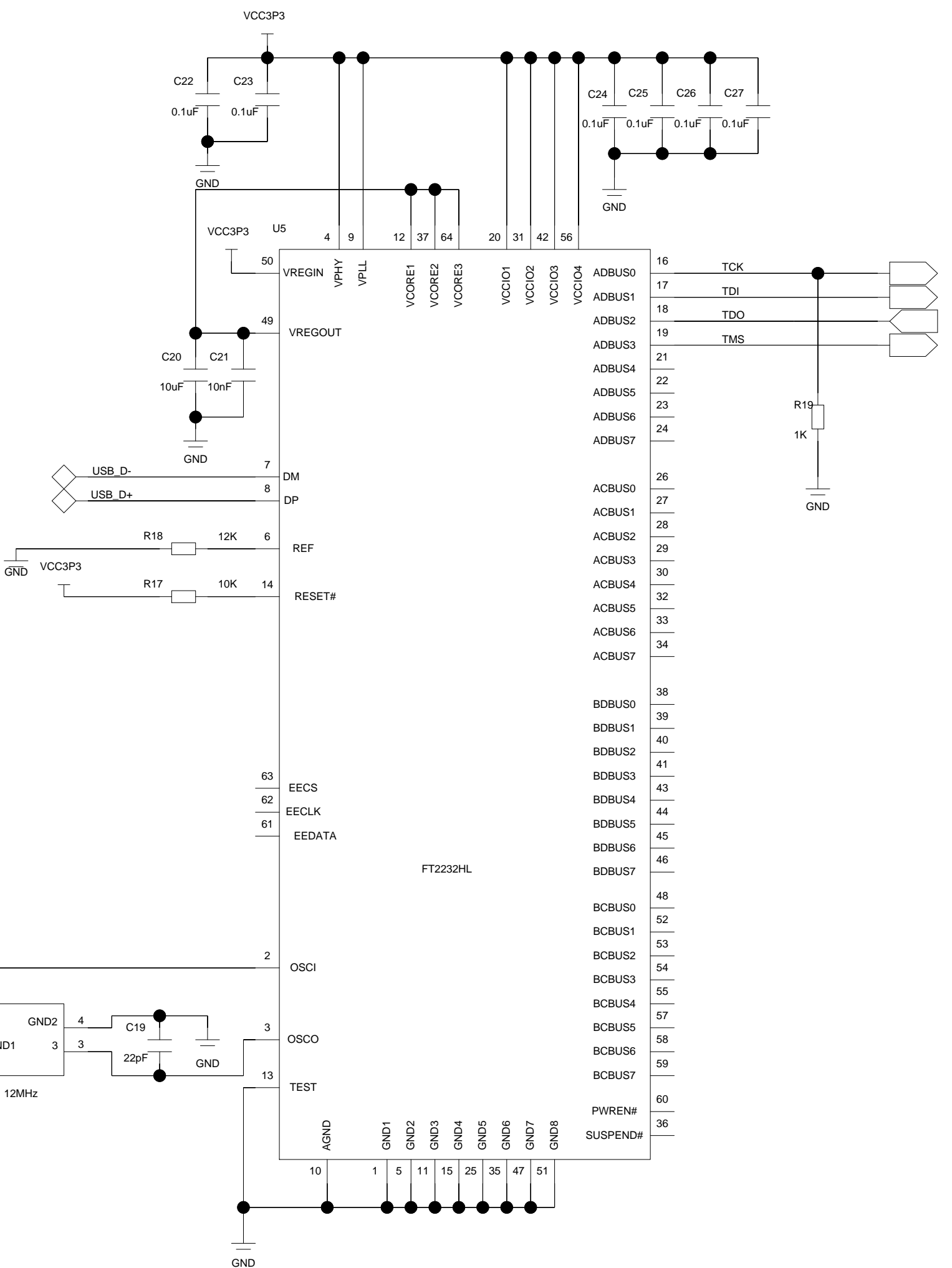
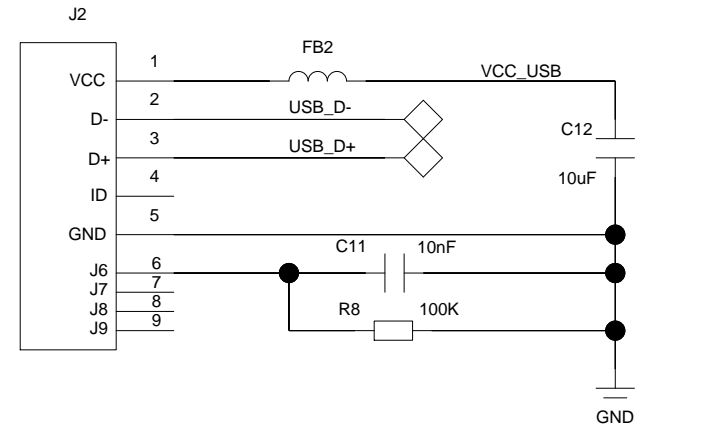
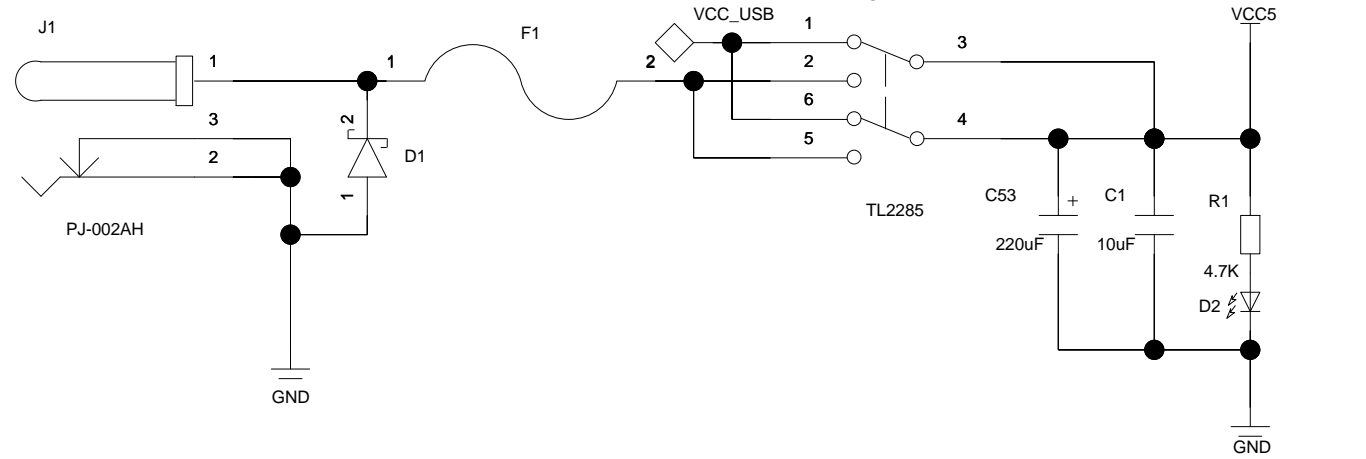


Copyright (c) 2017 by Gowin Semiconductor Corporation, Ltd.

Board Name		
DK-START-GW1N4		
Size	Title	Rev
A2	FPGA, etc	V1.1
Date	Tuesday, May 9, 2017	Sheet 2 of 4



Copyright (c) 2017 by Gowin Semiconductor Corporation, Ltd.		
Board Name DK-START-GW1N4		
Size A2	Title GPIO,etc	Rev V1.1
Date Tuesday, May 9, 2017	Sheet 3 of 4	



Copyright (c) 2017 by Gowin Semiconductor Corporation, Ltd.		
Title DK-START-GW1N4		
Size A2	Document Number Power,Download,etc	Rev V1.1
Date Tuesday, May 9, 2017	Sheet 4 of 4	