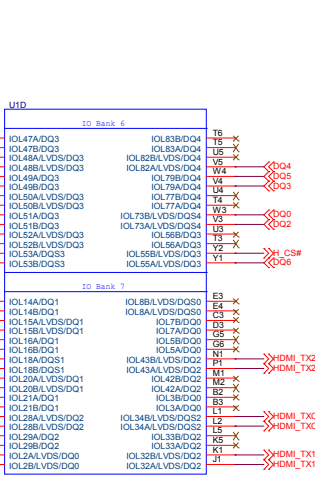
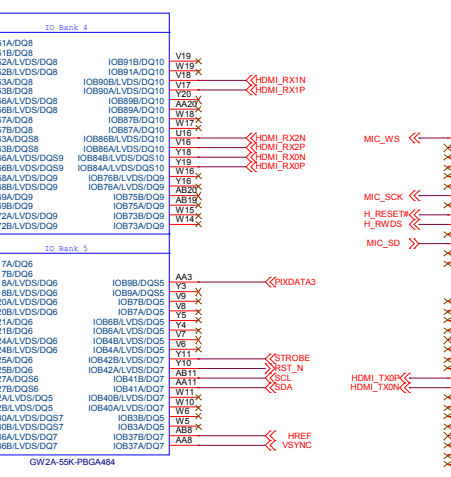
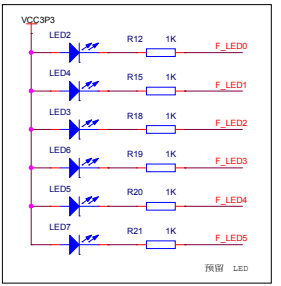
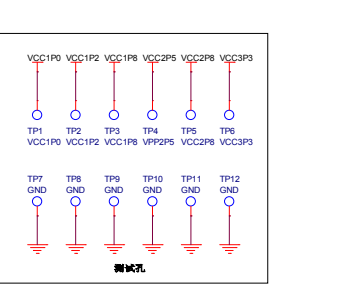
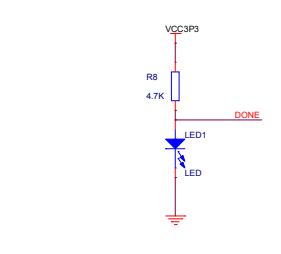
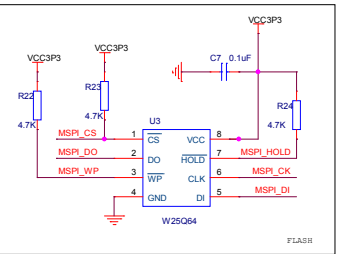
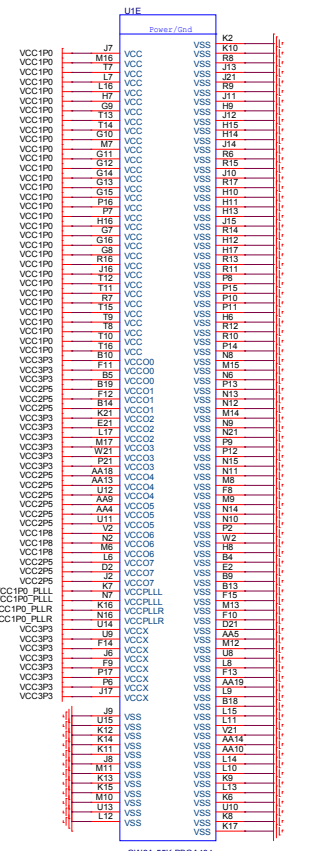
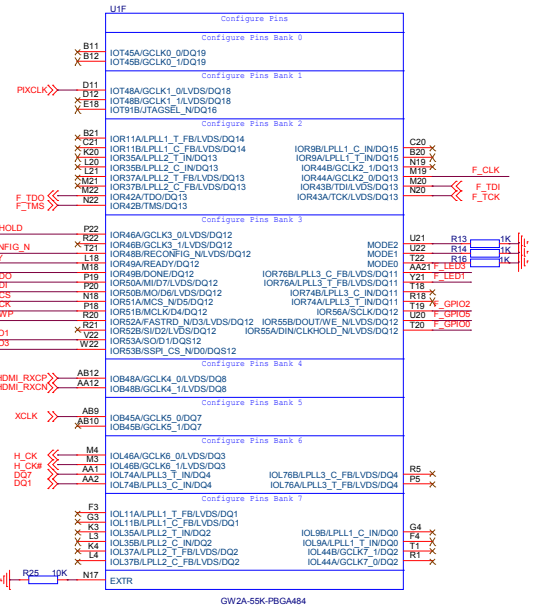
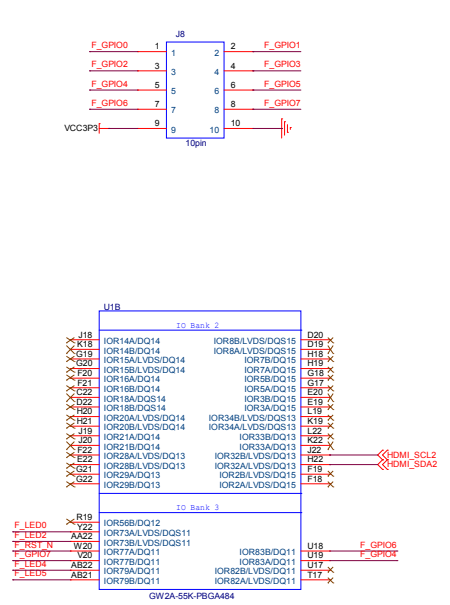
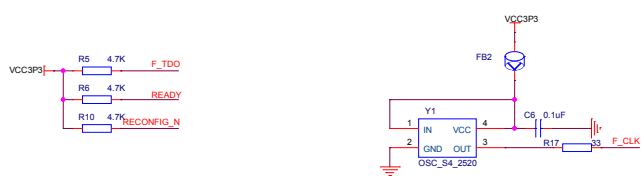
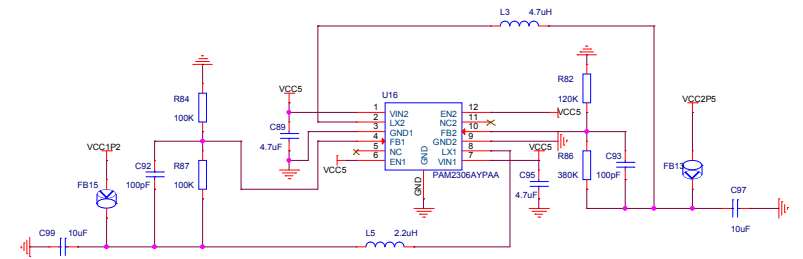
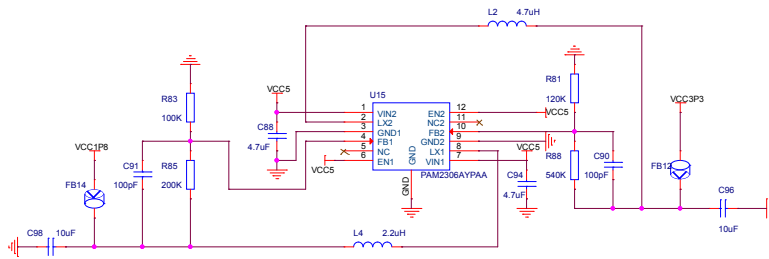
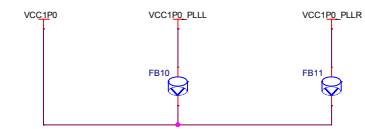
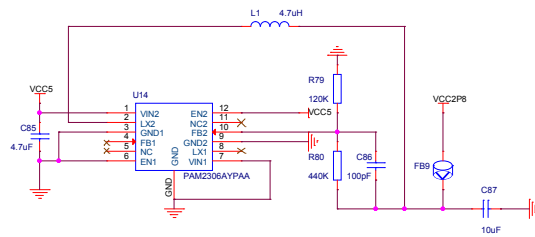
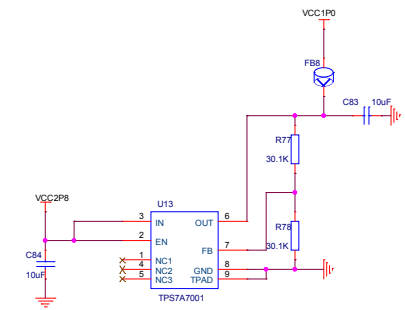
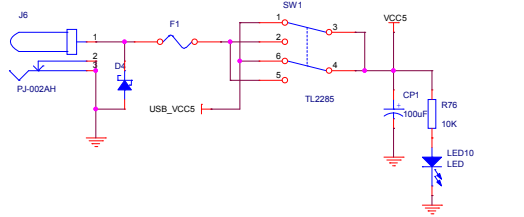
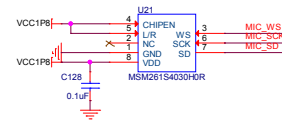
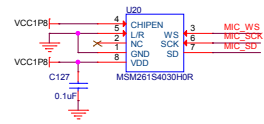
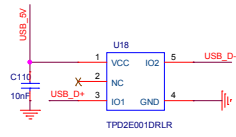
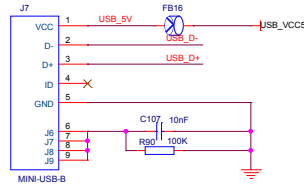
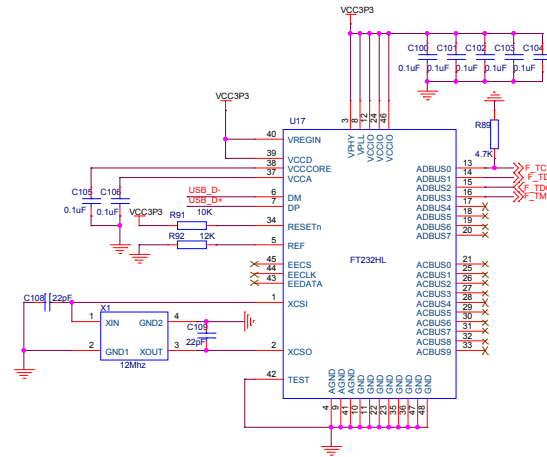


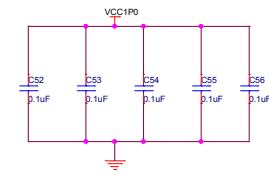
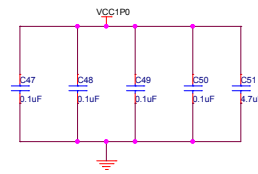
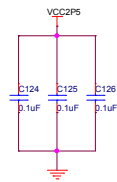
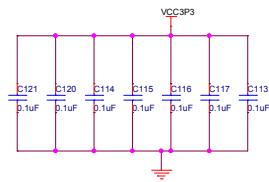
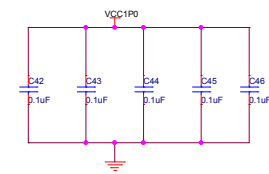
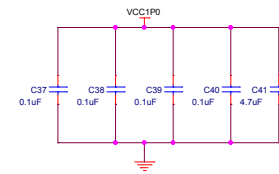
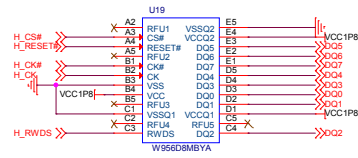
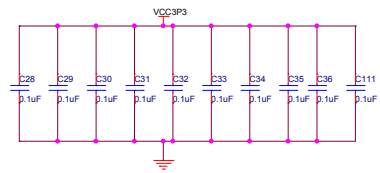
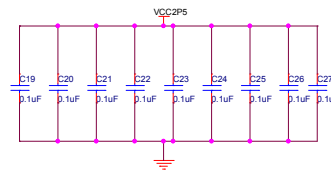
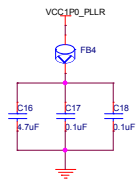
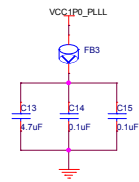
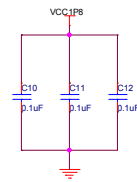
SCHEMATIC	CONTENT	PAGE
TOP	COVER PAGE	1
FPGA	FPGA	2
POWER	DC5V TO 3.3V,2.8V,2.5V,1.8V,1.2V,1.0V	3
Download	FPGA Download.MIC	4
PSRAM	HyperRAM.Filter	5
INTERFACE	HDMI TX, CAMERA	6-7
INTERFACE	HDMI_RX	8

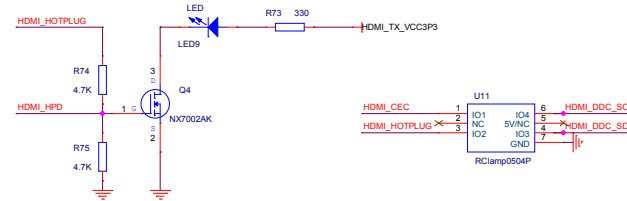
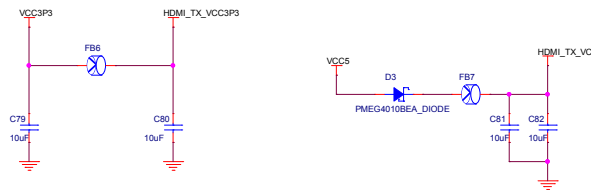
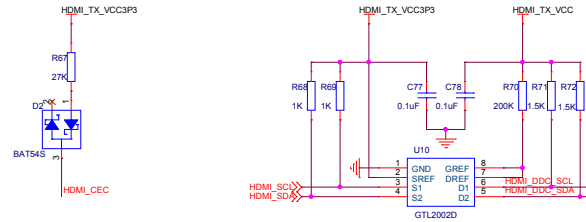
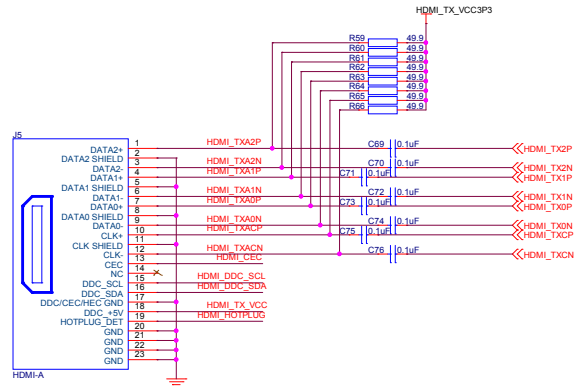
Title		
DK-GoAI-GW2A55-PG484		
Size	Document Number	Rev
A	COVER PAGE	V1.0
Date:	Monday, August 10, 2020	Sheet 1 of 8

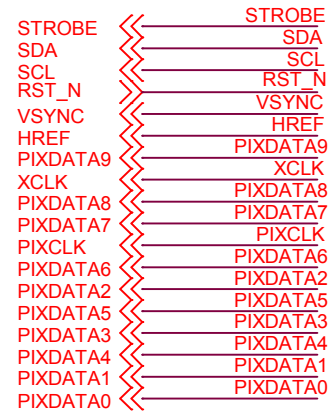
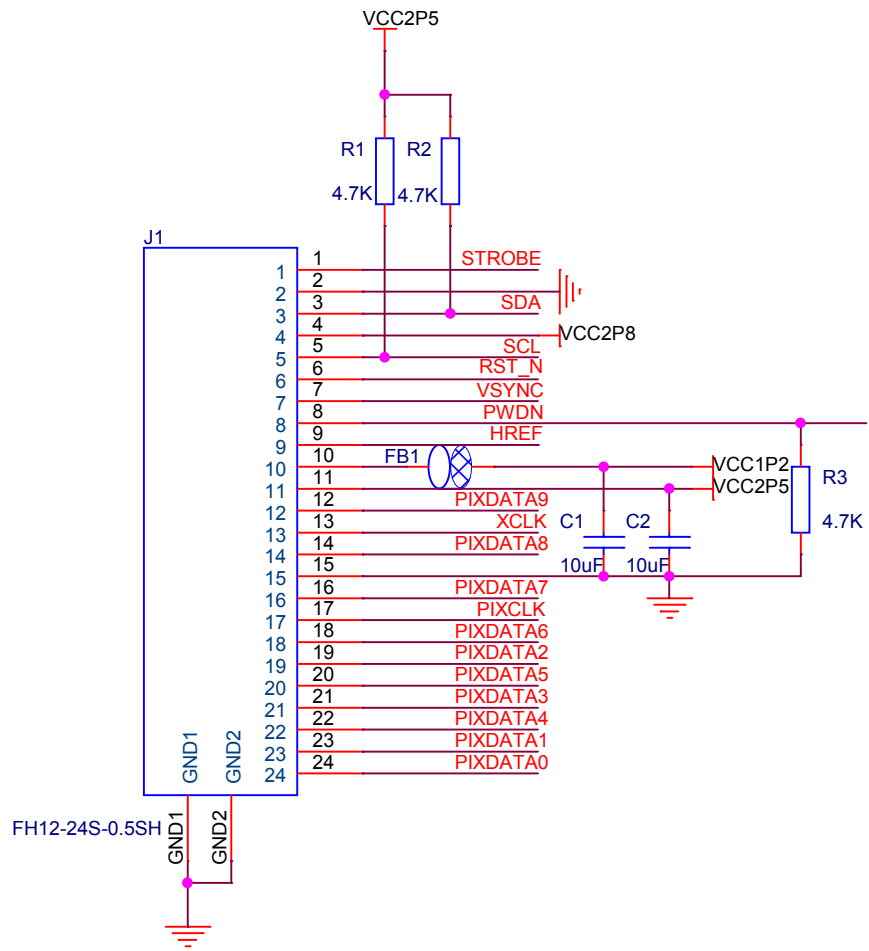












Title		
DK-GoAI-GW2A55-PG484		
Size	Document Number	Rev
A	CAMERA	V1.0
Date:	Monday, September 14, 2020	Sheet 7 of 8

